



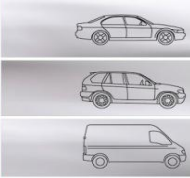
NEW PRODUCT INTRODUCTION



Ferodo Management Release
2015

The Ferodo brand is a registered trademark of





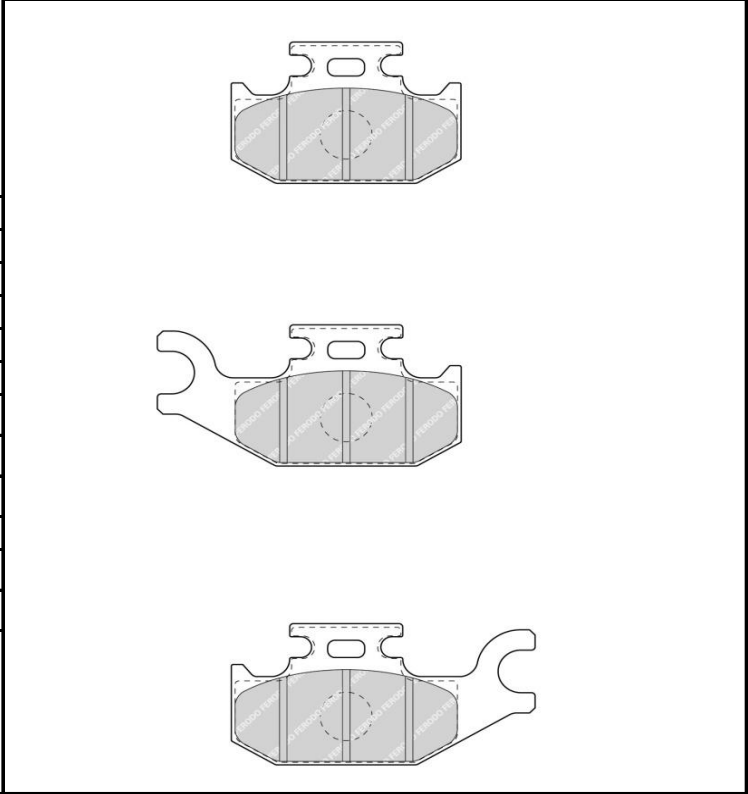
PART NUMBER

FDB4614



WVA	25482/25483/25484
LENGTH [mm]	62,1/821
WIDTH [mm]	40.9
THICKNESS [mm]	10.2
FMSI	N/A
BRAKE SYSTEM	N/A
EAN-13 BARCODE	4044197733590
WEIGHT [kg]	0.43
BOX DIMENSIONS [mm]	132x87x43
ECE R90 APPROVAL	Not needed - quadrocycle

COMMENTS	
-----------------	--

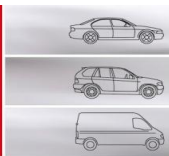


NOTES	Not prepared for wear indicator
--------------	---------------------------------

X-REFERENCE (OES)	
RENAULT	410607103R

X-REFERENCE (COMPETITOR)	
NECTO	FD7610A
JURID	573410J
ICER	182057
MINTEX	MDB3277
PAGID	T2182
REMSA	1519.00
ROADHOUSE	21519.00
TEXTAR	2548201

APPLICATIONS	FRONT	REAR
RENAULT Twizy 45, 80 (Electric) 04/12->	<input checked="" type="checkbox"/>	<input type="checkbox"/>
	<input type="checkbox"/>	<input type="checkbox"/>
	<input type="checkbox"/>	<input type="checkbox"/>
	<input type="checkbox"/>	<input type="checkbox"/>
	<input type="checkbox"/>	<input type="checkbox"/>
	<input type="checkbox"/>	<input type="checkbox"/>

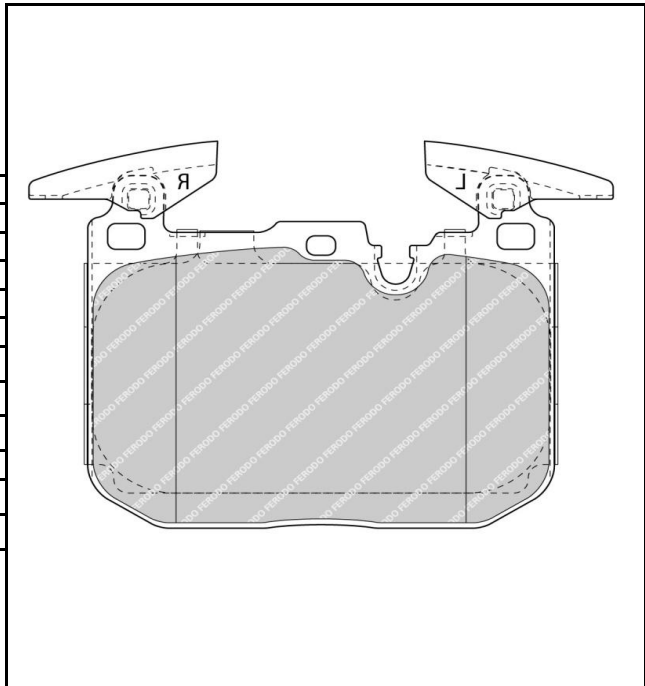


PART NUMBER
FDB4611

WVA	25028
LENGTH [mm]	114.6
WIDTH [mm]	91.3
THICKNESS [mm]	18
FMSI	N/A

BRAKE SYSTEM	BRE
EAN-13 BARCODE	4044197733569
WEIGHT [kg]	2.61
BOX DIMENSIONS [mm]	206x122x78
ECE R90 APPROVAL	E9 90R 02A0169/3232

COMMENTS	
-----------------	--

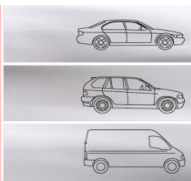


NOTES	Prepared for wear indicator
--------------	-----------------------------

X-REFERENCE (OES)	
BMW	34116850850 /34116859066

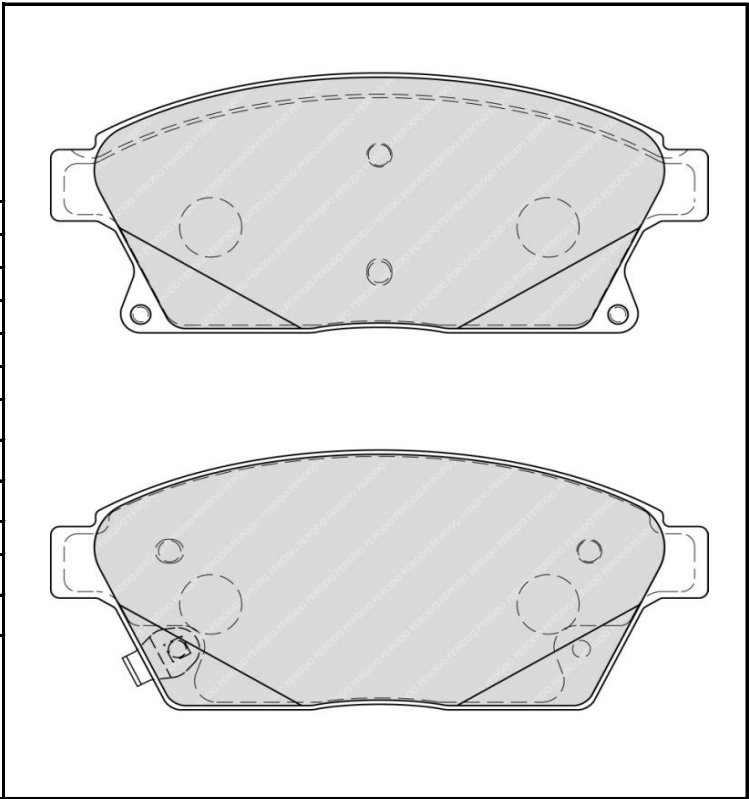
X-REFERENCE (COMPETITOR)	
NECTO	FD7607A
JURID	573355J
ICER	182093
REMSA	1491.00
ROADHOUSE	21491.00
TRW	GDB1943

APPLICATIONS	FRONT	REAR
BMW 1 Series (F20-F21) 114d, 114i, 116d, 116i, 118d, 118d xDrive, 118i, 120d, 120d xDrive, 125d, 125i, M135i, M135i xDrive 12/10->	<input checked="" type="checkbox"/>	<input type="checkbox"/>
BMW 2 Series (F22) 218d Coupe, 220d Coupe, 225d Coupe, M235i Coupe 10/13->	<input checked="" type="checkbox"/>	<input type="checkbox"/>
BMW 3 Series (F30) 3 ActiveHybrid, 316d, 316i, 318d, 318d xDrive, 320d, 320d xDrive, 320i, 320i xDrive, 325d, 328i, 328i xDrive, 330d, 330d xDrive, 335i, 335i xDrive 10/11->	<input checked="" type="checkbox"/>	<input type="checkbox"/>
BMW 3 Series (F31) 316d Touring, 316i Touring, 318d Touring, 318d xDrive Touring, 320d Touring, 320d xDrive Touring, 320i Touring, 320i xDrive Touring, 325d Touring, 328i Touring, 328i xDrive Touring, 330d Touring, 330d xDrive Touring, 335d xDrive Touring, 335i Touring, 335i xDrive Touring 06/12->	<input checked="" type="checkbox"/>	<input type="checkbox"/>
BMW 3 Series (F34) 318d Gran Turismo, 320d Gran Turismo, 320d xDrive Gran Turismo, 320i Gran Turismo, 320i xDrive Gran Turismo, 335d xDrive Gran Turismo, 335i Gran Turismo, 335i xDrive Gran Turismo 03/13->	<input checked="" type="checkbox"/>	<input type="checkbox"/>
BMW 4 Series (F32) 420d Coupe, 420d xDrive Coupe, 420i Coupe, 420i xDrive Coupe, 435d xDrive Coupe, 435i Coupe, 435i xDrive Coupe 08/13->	<input checked="" type="checkbox"/>	<input type="checkbox"/>
BMW 4 Series (F33) 420d Cabrio, 435i Cabrio 10/13->	<input checked="" type="checkbox"/>	<input type="checkbox"/>



PART NUMBER

FDB4264



WVA	25034/25035/25036
LENGTH [mm]	148.1
WIDTH [mm]	61.2
THICKNESS [mm]	18.8
FMSI	N/A

BRAKE SYSTEM	BOSCH
EAN-13 BARCODE	4044197501717
WEIGHT [kg]	2.163
BOX DIMENSIONS [mm]	200x120x76
ECE R90 APPROVAL	E11 90R 01191/9049

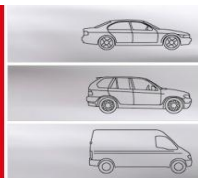
COMMENTS	
-----------------	--

NOTES Included mechanical wear indicator

X-REFERENCE (OES)	
OPEL	13301234/13412810/542
OPEL	1605135/22799077/1605
CHEVROLET	13301234/13412810/227
VAUXHALL	22799077/13301234/134

X-REFERENCE (COMPETITOR)	
NECTO	FD7456A
ICER	181939
TEXTAR	2503401
MINTEX	MDB3089
PAGID	T1959
TRW	GDB1847
JURID	573325

APPLICATIONS	FRONT	REAR
CHEVROLET Cruze 1.4 ECOTEC, 1.6 BiFuel, 1.6, 1.6 DVVT, 1.7 CDTi, 1.7 VCDi 1.8, 1.8 DVVT, 2.0 TCDi 05/09->	<input checked="" type="checkbox"/>	<input type="checkbox"/>
OPEL/Vauxhall Astra J 1.3 CDTi ECOTEC, 1.4, 1.4 ECOTEC, 1.6 CDTi ECOTEC, 1.6 SIDI ECOTEC, 1.6 SIDI/SIDI ECOTEC, 1.7 CDTi ECOTEC, 2.0 CDTi Biturbo,	<input checked="" type="checkbox"/>	<input type="checkbox"/>
Opel/ Vauxhall Mokka 1.4, 1.4 ECOTEC, 1.6 ECOTEC, 1.7 CDTi ECOTEC, 1.8 ECOTEC 06/12->	<input checked="" type="checkbox"/>	<input type="checkbox"/>
Opel/ Vauxhall Zafira 1.4, 1.4 ECOTEC, 1.6 CDTi ECOTEC, 1.6 CNG, 1.6 SIDI ECOTEC, 1.6 SIDI/SIDI ECOTEC, 1.8 ECOTEC, 2.0 CDTi Biturbo, 2.0 CDTi ECOTEC 09/11->	<input checked="" type="checkbox"/>	<input type="checkbox"/>
	<input type="checkbox"/>	<input type="checkbox"/>
	<input type="checkbox"/>	<input type="checkbox"/>

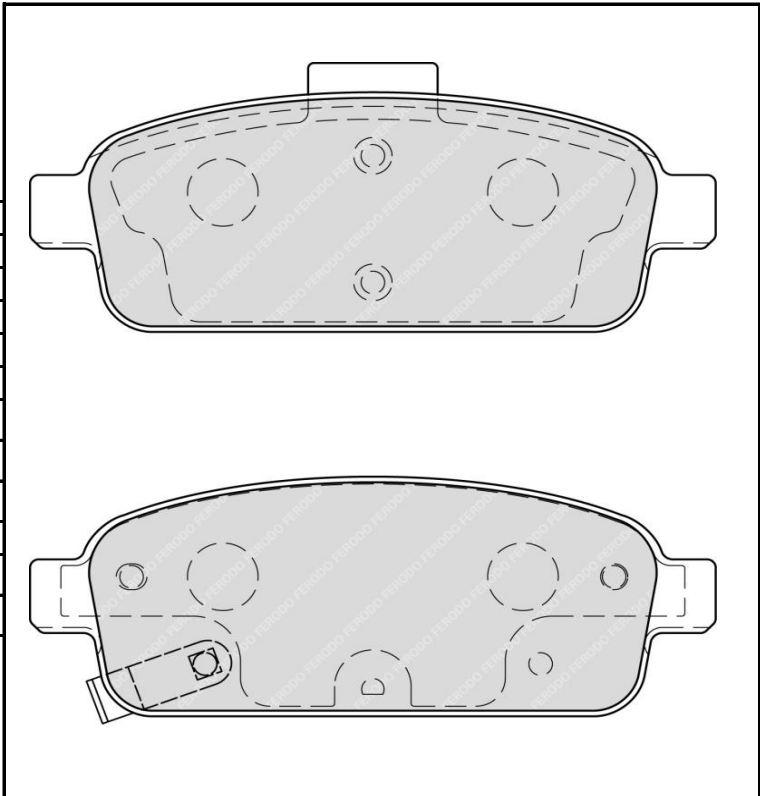


PART NUMBER
FDB4265

WVA	25096/25097/25098
LENGTH [mm]	116.6
WIDTH [mm]	42.7
THICKNESS [mm]	16,2,16,5
FMSI	8668-D1468

BRAKE SYSTEM	ATE
EAN-13 BARCODE	4044197501724
WEIGHT [kg]	1.125
BOX DIMENSIONS [mm]	162x125x45
ECE R90 APPROVAL	E11 90R 01202/9028

COMMENTS	
-----------------	--

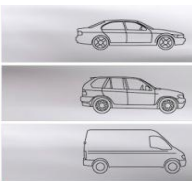


NOTES	Included mechanical wear indicator
--------------	------------------------------------

X-REFERENCE (OES)	
OPEL	13300867/13411380/1605176/
OPEL	542039/13319294/542040/160
CHEVROLET	133192294/13319294/1330086
VAUXHALL	13300867/13411380/13319294

X-REFERENCE (COMPETITOR)	
NECTO	FD7457A
ICER	181943
TEXTAR	2509602
ATE	13.0460-7264.2
BOSCH	0986494435
TRW	GDB1844
JURID	573335J

APPLICATIONS	FRONT	REAR
CHEVROLET Cruze 1.4 ECOTEC, 1.6 BiFuel, 1.6, 1.6 DVVT, 1.7 CDTi, 1.7 VCDi 1.8, 1.8 DVVT, 2.0 TCDi 05/09->	<input type="checkbox"/>	<input checked="" type="checkbox"/>
OPEL/Vauxhall Astra J 1.3 CDTi ECOTEC, 1.4, 1.4 ECOTEC, 1.6 CDTi ECOTEC, 1.6 SIDI ECOTEC, 1.6 SIDI/SIDI ECOTEC, 1.7 CDTi ECOTEC, 2.0 CDTi Biturbo, 2.0 CDTi ECOTEC 12/09->	<input type="checkbox"/>	<input checked="" type="checkbox"/>
Opel/ Vauxhall Mokka 1.4, 1.4 ECOTEC, 1.6 ECOTEC, 1.7 CDTi ECOTEC, 1.8 ECOTEC	<input type="checkbox"/>	<input checked="" type="checkbox"/>
Opel/ Vauxhall Zafira 1.4, 1.4 ECOTEC, 1.6 CDTi ECOTEC, 1.6 CNG, 1.6 SIDI ECOTEC, 1.6 SIDI/SIDI ECOTEC, 1.8 ECOTEC, 2.0 CDTi Biturbo, 2.0 CDTi ECOTEC 09/11->	<input type="checkbox"/>	<input checked="" type="checkbox"/>
	<input type="checkbox"/>	<input type="checkbox"/>
	<input type="checkbox"/>	<input type="checkbox"/>



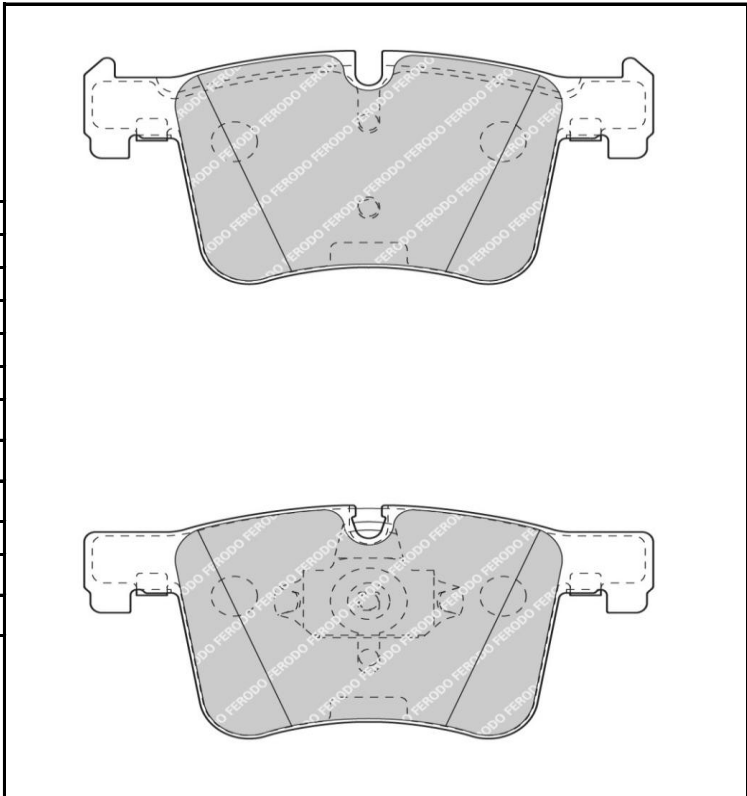
PART NUMBER

FDB4394

WVA	25200/25199
LENGTH [mm]	148.3
WIDTH [mm]	70.6
THICKNESS [mm]	19.2
FMSI	8772-D1561

BRAKE SYSTEM	ATE
EAN-13 BARCODE	4044197561360
WEIGHT [kg]	2.0128
BOX DIMENSIONS [mm]	206x122x78
ECE R90 APPROVAL	

COMMENTS	
-----------------	--

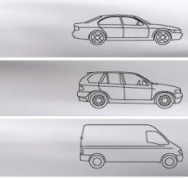


NOTES	Prepared for wear indicator
--------------	-----------------------------

X-REFERENCE (OES)	
BMW	34114073936

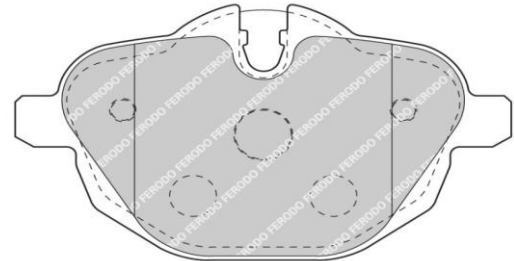
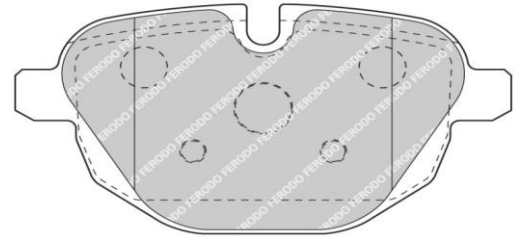
X-REFERENCE (COMPETITOR)	
NECTO	FD7536A
TEXTAR	2519901
ICER	182020
PAGID	T2052

APPLICATIONS	FRONT	REAR
BMW X3 20 dx, 20ix, bis 10/11->	<input checked="" type="checkbox"/>	<input type="checkbox"/>
BMW X3 35ix (F25) 2011->	<input checked="" type="checkbox"/>	<input type="checkbox"/>
BMW X4 (F26) 2.0, 3.0 06/14 ->	<input type="checkbox"/>	<input type="checkbox"/>
	<input checked="" type="checkbox"/>	<input type="checkbox"/>



PART NUMBER

FDB4376



WVA	N/A
LENGTH [mm]	106.1
WIDTH [mm]	56,3/63,3
THICKNESS [mm]	17.8
FMSI	8672-D1473

BRAKE SYSTEM	TRW
EAN-13 BARCODE	4044197551002
WEIGHT [kg]	1.273
BOX DIMENSIONS [mm]	162x125x45
ECE R90 APPROVAL	N/A

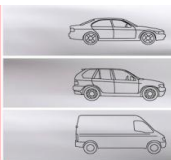
COMMENTS	
-----------------	--

NOTES

X-REFERENCE (OES)	
BMW	34216796741
BMW	34216788284

X-REFERENCE (COMPETITOR)	
NECTO	FD7521A
PAGID	T1769
TEXTAR	2456102
MINTEX	MDB2948

APPLICATIONS	FRONT	REAR
BMW 5 (F10) 523i, 528i, 535i, 525d, 530d 03/10->	<input type="checkbox"/>	<input checked="" type="checkbox"/>
BMW Z4 (E89) sDrive35i 05/09->	<input type="checkbox"/>	<input checked="" type="checkbox"/>
BMW X4 (F26) 2.0, 3,0 06/14 ->	<input type="checkbox"/>	<input checked="" type="checkbox"/>
	<input type="checkbox"/>	<input type="checkbox"/>
	<input type="checkbox"/>	<input type="checkbox"/>



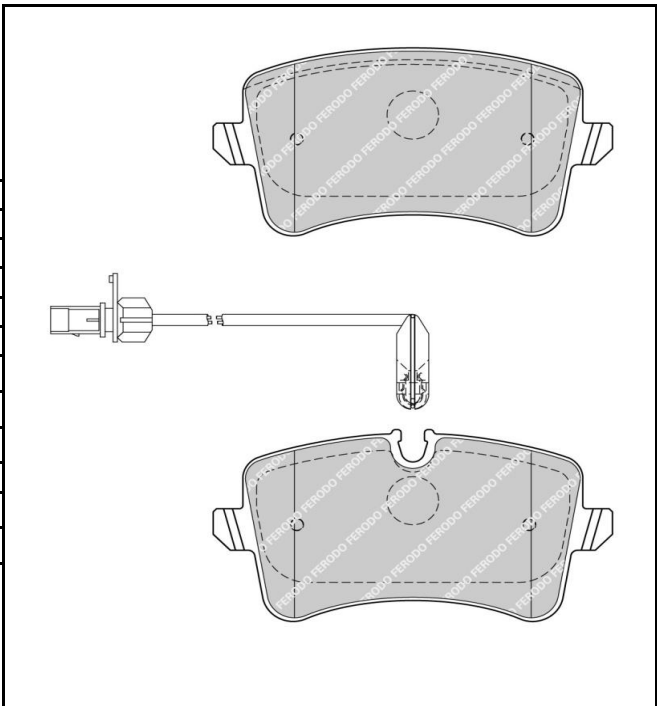
PART NUMBER

FDB4410

WVA	24606/25214
LENGTH [mm]	116.4
WIDTH [mm]	59/60,1
THICKNESS [mm]	17,43/17,5
FMSI	N/A

BRAKE SYSTEM	TRW
EAN-13 BARCODE	4044197565115
WEIGHT [kg]	1.381
BOX DIMENSIONS [mm]	168x97x62
ECE R90 APPROVAL	E11 90R 02A0425/10793

COMMENTS	
-----------------	--

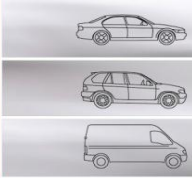


NOTES	Included electrical wear indicator
--------------	------------------------------------

X-REFERENCE (OES)	
AUDI	4G0698451
AUDI	4G0698451A
AUDI	4G0698451B
AUDI	4H0698451D
AUDI	4H0698451E

X-REFERENCE (COMPETITOR)	
NECTO	FD7549A
JURID	573428J
ICER	181986-203
MINTEX	MDB3189
PAGID	T2090
TEXTAR	2521402
TRW	GDB1989

APPLICATIONS	FRONT	REAR
AUDI RS4 Quattro, RS5 Cabrio Quattro, RS5 Quattro 4.2 Fsi 2008->	<input type="checkbox"/>	<input checked="" type="checkbox"/>
AUDI A6 1.8 TFSi, 2.0 Tdi, 2.0 TFSi, 2.0 TFSi Hybrid, 2.8 Fsi, 3.0 Tdi 2011->	<input type="checkbox"/>	<input checked="" type="checkbox"/>
AUDI A6 Allroad Quattro 3.0 Tdi, 3.0 TFSi 2011->	<input type="checkbox"/>	<input checked="" type="checkbox"/>
AUDI A6 Quattro 2.8 Fsi, 3.0 Tdi, 3.0 TFSi 2011->	<input type="checkbox"/>	<input checked="" type="checkbox"/>
AUDI RS6 Quattro 4.0 -/TFSi ACT 2011->	<input type="checkbox"/>	<input checked="" type="checkbox"/>
AUDI S6 Quattro 4.0 TFSi, 4.0 TFSi ACT 2011->	<input type="checkbox"/>	<input checked="" type="checkbox"/>
AUDI A7 Sportback 2.8 Fsi, 3.0 Tdi 2011->	<input type="checkbox"/>	<input checked="" type="checkbox"/>
AUDI A7 Sportback Quattro 2.8 Fsi, 3.0 BiTDi, 3.0 Tdi, 3.0 TFSi 2011->	<input type="checkbox"/>	<input checked="" type="checkbox"/>
AUDI RS7 Sportback Quattro / S7 Sportback Quattro 4.0 TFSi 2011->	<input type="checkbox"/>	<input checked="" type="checkbox"/>
AUDI A8 2.0 TFSi Hybrid, 3.0 Tdi 2010->	<input type="checkbox"/>	<input checked="" type="checkbox"/>
AUDI A8 Quattro 3.0 Tdi, 3.0 TFSi, 4.0 TFSi, 4.2 Fsi, 4.2 Tdi, 6.3 Fsi 2010->	<input type="checkbox"/>	<input checked="" type="checkbox"/>
AUDI S8 Quattro 4.0 TFSi 2010->	<input type="checkbox"/>	<input checked="" type="checkbox"/>
PORSCHE Macan 2.0, 3.0 S, 3.6 Turbo 2014->	<input type="checkbox"/>	<input checked="" type="checkbox"/>

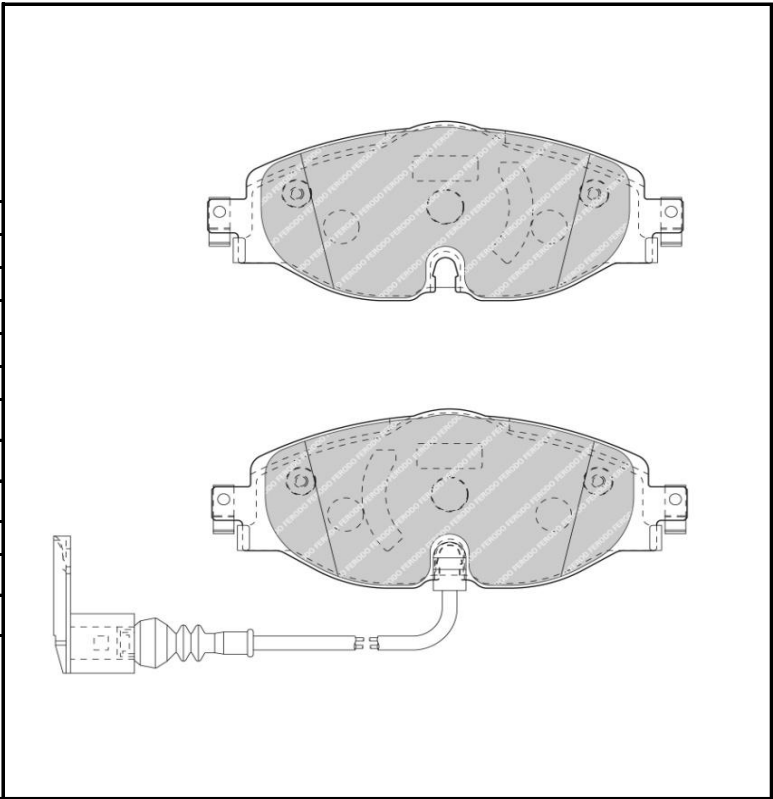


PART NUMBER

FDB4433



WVA	25683/25684
LENGTH [mm]	160.1
WIDTH [mm]	64.6
THICKNESS [mm]	20.2
FMSI	N/A
BRAKE SYSTEM	TRW
EAN-13 BARCODE	4044197624799
WEIGHT [kg]	2.24
BOX DIMENSIONS [mm]	206x122x78
ECE R90 APPROVAL	E11 90R 02A0191/16873
COMMENTS	



NOTES

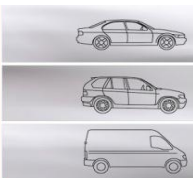
X-REFERENCE (OES)	
VW	8V0698151/ 8V0698151B

X-REFERENCE (COMPETITOR)	
NECTO	FD7565A
DELPHI	LP2250
MINTEX	MDB3340
PAGID	T2239
TEXTAR	2568301
ROADHOUSE	21515.01

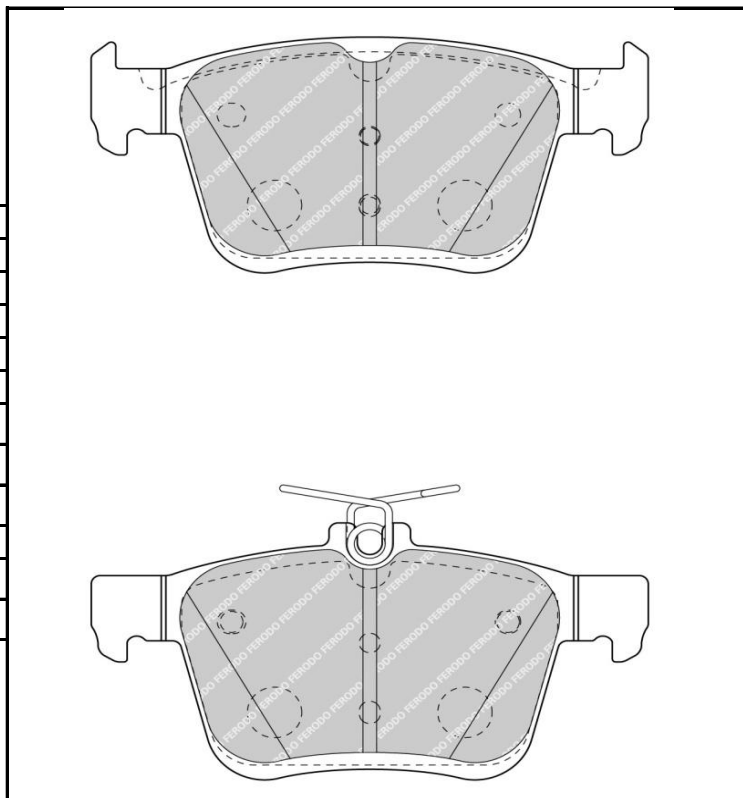
APPLICATIONS	FRONT	REAR
AUDI A3 1.4 TFSi, 1.8 TFSi, 2.0 TDi, for PR 1ZE, for PR 1ZA 04/12->	<input checked="" type="checkbox"/>	<input type="checkbox"/>
AUDI A3 Quattro 1.8 TFSi, 2.0 TDi, for PR 1ZE, for PR 1ZA 08/12->	<input checked="" type="checkbox"/>	<input type="checkbox"/>
VW Golf VII 1.2, 1.4 TSi, 1.6 TDi, 2.0 TDi, for PR 1ZE/1ZP, for PR1ZA/1ZD 08/12->	<input checked="" type="checkbox"/>	<input type="checkbox"/>
SEAT Leon 1.2 Tsi, 1,4 Tsi, 1.6 Tdi, 1.8 TFSi, 2.0 Tdi, for PR code:1ZE/1ZA 09/12->	<input checked="" type="checkbox"/>	<input type="checkbox"/>
SKODA Octavia 1.2 Tsi, 1,4 Tsi, 1.6 Tdi, 1.8 TSi, 2.0 Tdi, for PR code:1ZA/1ZB 11/12->	<input checked="" type="checkbox"/>	<input type="checkbox"/>
AUDI TT 2.0 TFSi; 2.0 Tdi (PR code:1LJ; 1ZD)	<input checked="" type="checkbox"/>	<input type="checkbox"/>
AUDI TT Quattro 2.0 TFSi (PR code:1LJ; 1ZD)	<input checked="" type="checkbox"/>	<input type="checkbox"/>

PART NUMBER

FDB4434



WVA	25008/25010
LENGTH [mm]	123
WIDTH [mm]	56,1/61,1
THICKNESS [mm]	16.4
FMSI	N/A
BRAKE SYSTEM	ATE
EAN-13 BARCODE	4044197624805
WEIGHT [kg]	1.11
BOX DIMENSIONS [mm]	168x127x47
ECE R90 APPROVAL	E11 90R 02A0202/17206
COMMENTS	



NOTES	Excluded wear indicator
--------------	-------------------------

X-REFERENCE (OES)	
AUDI/VW	8V0698451

X-REFERENCE (COMPETITOR)	
TEXTAR	2500801
TRW	GDB1957
MINTEX	MDB3100
ICER	182099
NECTO	FD7566A

APPLICATIONS	FRONT	REAR
Audi A3 1.4 TFSi, 1.8 TFSi, 2.0 TDi, for PR 1KE 04/12->	<input type="checkbox"/>	<input checked="" type="checkbox"/>
Audi A3 Quattro 1.8 TFSi, 2.0 TDi, for PR 1KE 08/12->	<input type="checkbox"/>	<input checked="" type="checkbox"/>
Volkswagen Golf VII 1.2, 1.4 TSi, 1.6 TDi, 2.0 TDi, for PR 1KE 08/12->	<input type="checkbox"/>	<input checked="" type="checkbox"/>
AUDI TT 2.0 TFSi; 2.0 Tdi (PR code:1LJ; 1ZD)	<input type="checkbox"/>	<input checked="" type="checkbox"/>
AUDI TT Quattro 2.0 TFSi (PR code:1LJ; 1ZD)	<input type="checkbox"/>	<input checked="" type="checkbox"/>
	<input type="checkbox"/>	<input type="checkbox"/>

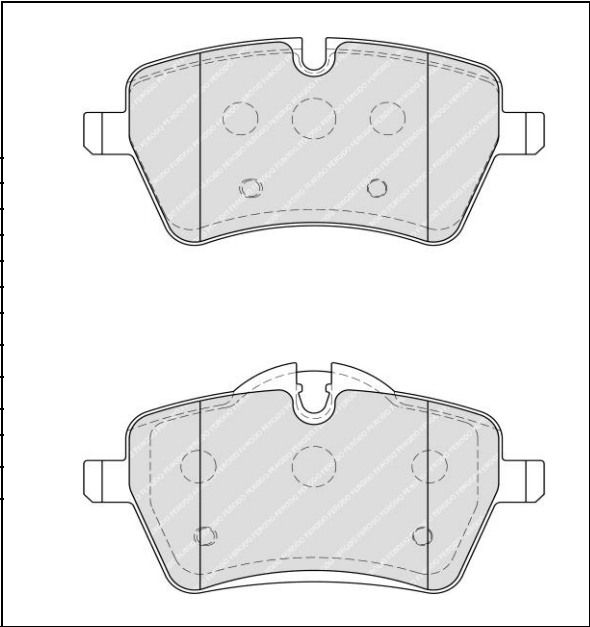


PART NUMBER
FDB4080

WVA	23984/23985
LENGTH [mm]	131.5
WIDTH [mm]	64,1/71,6
THICKNESS [mm]	17.9
FMSI	N/A

BRAKE SYSTEM	TRW
EAN-13 BARCODE	4044197416523
WEIGHT [kg]	1.775
BOX DIMENSIONS [mm]	206x122x78
ECE R90 APPROVAL	E11 90R 01191/6465

COMMENTS	
-----------------	--

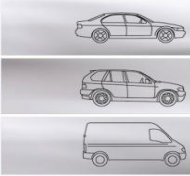


NOTES	Prepared for wear indicator
--------------	-----------------------------

X-REFERENCE (OES)	
BMW	34116778320
BMW	34119804735
BMW	34116770251

X-REFERENCE (COMPETITOR)	
NECTO	FD7367A
JURID	573234J
ATE	13.0460-2725.2
BOSCH	0 986 494 489
ICER	181756
MINTEX	MDB2816
TRW	GDB1712
TEXTAR	2398404

APPLICATIONS	FRONT	REAR
MINI MINI (R50, R53) 1.4, 1.4 One D, 1.4 One D, 1.6 Cooper S, 1.6 Cooper S, 1.6 John Cooper Works, 1.6 One, 1.6 S Works, 1.6 Works 06/2001->09/2006	<input checked="" type="checkbox"/>	<input type="checkbox"/>
MINI MINI (R56) 1.4 One, 1.4 One, 1.6 Cooper, 1.6 Cooper, 1.6 Cooper, 1.6 Cooper D, 1.6 Cooper D, 1.6 Cooper S, 1.6 Cooper S, 1.6 Cooper S, 1.6 Cooper S, 1.6 John Cooper Works, 1.6 One, 1.6 One, 1.6 One D, 1.6 One D, 2.0 Cooper D, 2.0 Cooper SD, 2.0 Cooper SD 10/2006->	<input checked="" type="checkbox"/>	<input type="checkbox"/>
MINI MINI CLUBMAN (R55) 1.6 Cooper D, 1.6 Cooper S, 1.6 Cooper S, 1.6 Cooper S, 1.6 Cooper S, 1.6 John Cooper Works 10/2007->	<input checked="" type="checkbox"/>	<input type="checkbox"/>
MINI MINI Convertible (R52) 1.6 Cooper S, 1.6 John Cooper Works 07/2004->11/2007	<input checked="" type="checkbox"/>	<input type="checkbox"/>
MINI MINI Convertible (R57) 1.6 Cooper, 1.6 Cooper, 1.6 Cooper D, 1.6 Cooper S, 1.6 Cooper S, 1.6 Cooper S, 1.6 One, 2.0 Cooper D, 2.0 Cooper SD 03/2009->	<input checked="" type="checkbox"/>	<input type="checkbox"/>
MINI MINI COUNTRYMAN (R60) 1.6 Cooper, 1.6 Cooper, 1.6 COOPER, 1.6 Cooper ALL4, 1.6 Cooper ALL4, 1.6 COOPER D, 1.6 COOPER D ALL4, 1.6 COOPER S, 1.6	<input checked="" type="checkbox"/>	<input type="checkbox"/>
MINI MINI Coupe (R58) 1.6 Cooper S, 1.6 Cooper S, 1.6 Cooper S 09/2011->	<input checked="" type="checkbox"/>	<input type="checkbox"/>
MINI MINI PACEMAN (R61) 1.6 Cooper, 1.6 Cooper ALL4, 1.6 Cooper ALL4, 1.6 Cooper D, 1.6 Cooper D ALL4, 1.6 Cooper S, 1.6 Cooper S, 1.6 Cooper S ALL4, 1.6 Cooper S ALL4, 1.6 John Cooper Works, 2.0 Cooper D ALL4, 2.0 Cooper SD, 2.0 Cooper SD ALL4 04/2012->	<input checked="" type="checkbox"/>	<input type="checkbox"/>
MINI MINI Roadster (R59) 1.6 Cooper, 1.6 Cooper, 1.6 Cooper S, 1.6 Cooper S 02/2012->	<input checked="" type="checkbox"/>	<input type="checkbox"/>

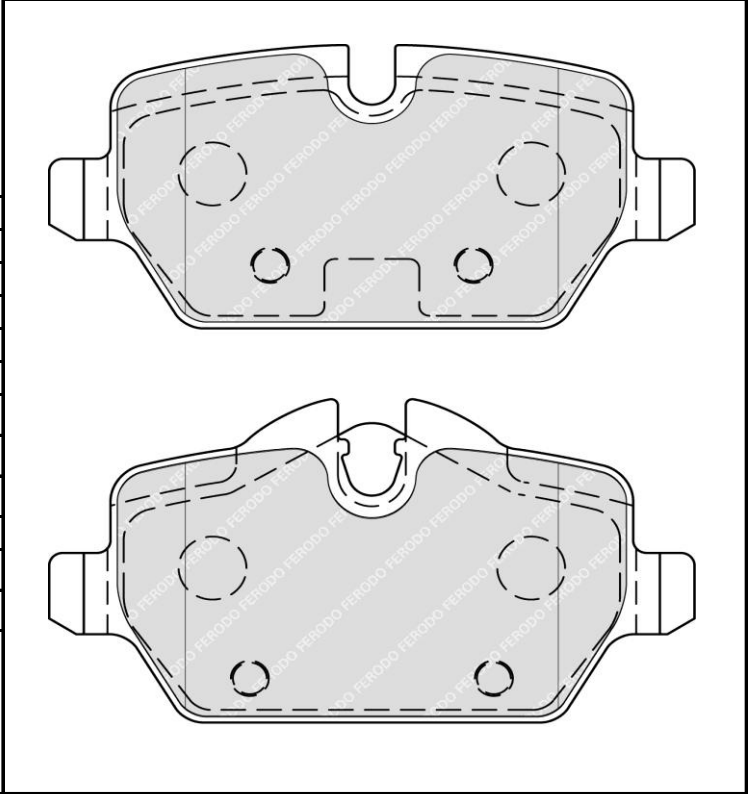


PART NUMBER

FDB4383



WVA	23623/23624
LENGTH [mm]	95.3
WIDTH [mm]	45/51,3
THICKNESS [mm]	16.8
FMSI	N/A
BRAKE SYSTEM	TRW
EAN-13 BARCODE	4044197552344
WEIGHT [kg]	0.857
BOX DIMENSIONS [mm]	150x105x43
ECE R90 APPROVAL	E9 90R 01291/976
COMMENTS	

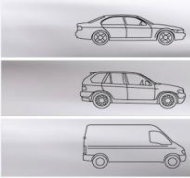


NOTES Prepared for wear indicator

X-REFERENCE (OES)	
BMW	34219804739
BMW	34219808172

X-REFERENCE (COMPETITOR)	
NECTO	FD7529A
JURID	573234J
ATE	13.0460-2713.2
BOSCH	0 986 494 461
ICER	182008
MINTEX	MDB3131
TRW	GDB1612
TEXTAR	2547801

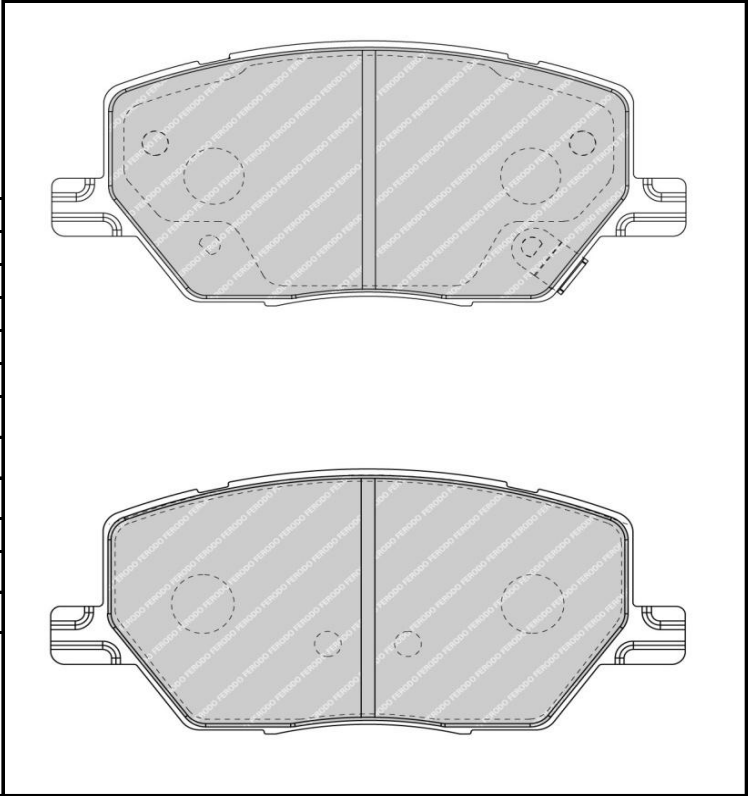
APPLICATIONS	FRONT	REAR
MINI MINI COUNTRYMAN (R60) 1.6 Cooper 1.6 Cooper ALL4, 1.6 COOPER D, 1.6	<input type="checkbox"/>	<input checked="" type="checkbox"/>
MINI MINI PACEMAN (R61) 1.6 Cooper, 1.6 Cooper ALL4, 1.6 Cooper ALL4, 1.6 Cooper D, 1.6 Cooper D ALL4, 1.6 Cooper S, 1.6 Cooper S, 1.6 Cooper S ALL4, 1.6 Cooper S	<input type="checkbox"/>	<input checked="" type="checkbox"/>
	<input type="checkbox"/>	<input type="checkbox"/>
	<input type="checkbox"/>	<input type="checkbox"/>
	<input type="checkbox"/>	<input type="checkbox"/>
	<input type="checkbox"/>	<input type="checkbox"/>



PART NUMBER
FDB4688



WVA	N/A
LENGTH [mm]	140.87
WIDTH [mm]	62.3
THICKNESS [mm]	20
FMSI	N/A
BRAKE SYSTEM	MANDO
EAN-13 BARCODE	4044197802067
WEIGHT [kg]	1.7
BOX DIMENSIONS [mm]	N/A
ECE R90 APPROVAL	N/A
COMMENTS	

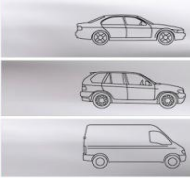


NOTES	Included mechanical wear indicator
--------------	------------------------------------

X-REFERENCE (OES)
N/A

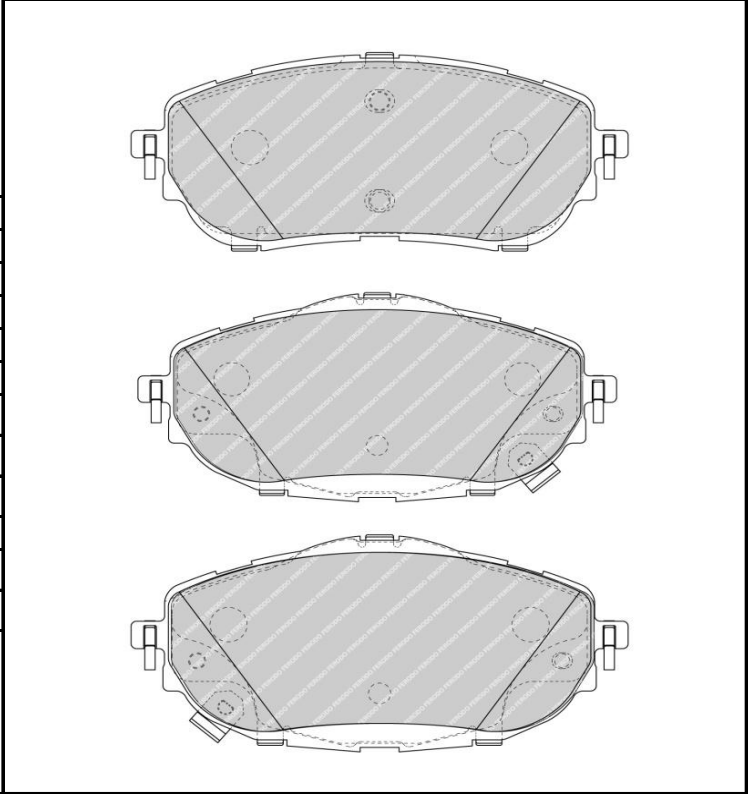
X-REFERENCE (COMPETITOR)	
NECTO	FD7623A
JURID	573610J

APPLICATIONS	FRONT	REAR
Fiat 500 X 2014->	<input checked="" type="checkbox"/>	<input type="checkbox"/>
Jeep Renegade 2014->	<input checked="" type="checkbox"/>	<input type="checkbox"/>
	<input type="checkbox"/>	<input type="checkbox"/>
	<input type="checkbox"/>	<input type="checkbox"/>
	<input type="checkbox"/>	<input type="checkbox"/>
	<input type="checkbox"/>	<input type="checkbox"/>



PART NUMBER

FDB4648



WVA	25698/25699/25700
LENGTH [mm]	134.1
WIDTH [mm]	56,8/63,0
THICKNESS [mm]	19,2/19,35
FMSI	N/A
BRAKE SYSTEM	BOSCH
EAN-13 BARCODE	4044197743957
WEIGHT [kg]	1.85
BOX DIMENSIONS [mm]	N/A
ECE R90 APPROVAL	N/A

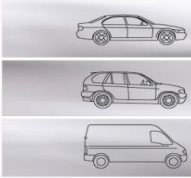
COMMENTS	
-----------------	--

NOTES	Included mechanical wear indicator
--------------	------------------------------------

X-REFERENCE (OES)	
TOYOTA	0446502390

X-REFERENCE (COMPETITOR)	
NECTO	FD7613A
JURID	573440J
ASHIKA	50-02-2000
DELPHI	LP2691
ICER	182129
REMSA	1561.02
ROADHOUSE	21561.02
TEXTAR	2569801
TRW	GDB3598

APPLICATIONS	FRONT	REAR
TOYOTA Auris 1.8 Hybrid, 1.3 VVTi, 1.4 D4d, 1.6 VVTi 10/12->	<input checked="" type="checkbox"/>	<input type="checkbox"/>
	<input type="checkbox"/>	<input type="checkbox"/>
	<input type="checkbox"/>	<input type="checkbox"/>
	<input type="checkbox"/>	<input type="checkbox"/>
	<input type="checkbox"/>	<input type="checkbox"/>
	<input type="checkbox"/>	<input type="checkbox"/>



PART NUMBER

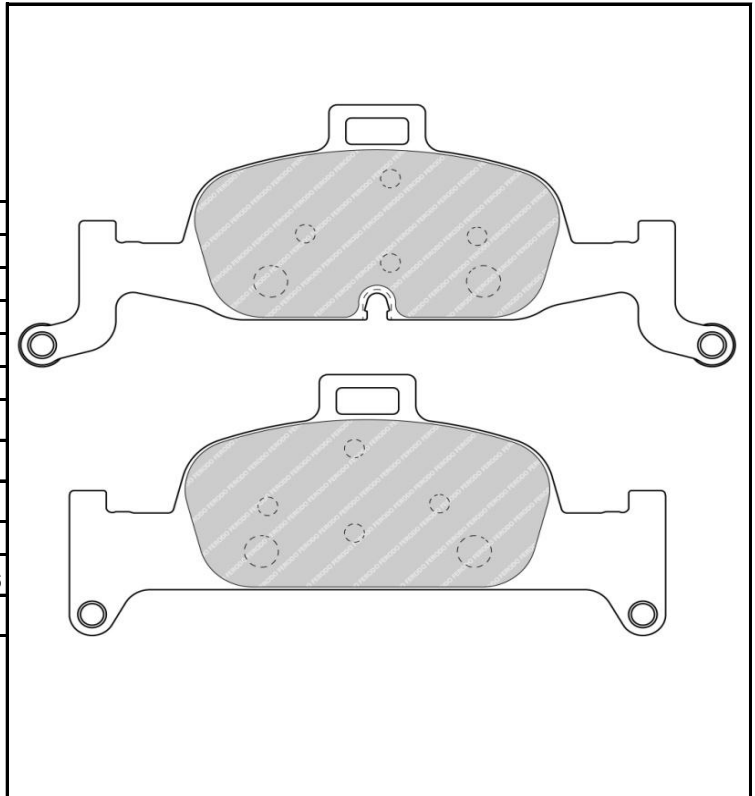
FDB4616



WVA	N/A
LENGTH [mm]	210/251
WIDTH [mm]	105
THICKNESS [mm]	15.5
FMSI	N/A

BRAKE SYSTEM	ATE
EAN-13 BARCODE	4044197813483
WEIGHT [kg]	3.05
BOX DIMENSIONS [mm]	275x174x113
ECE R90 APPROVAL	E11 90R 02A01079/20366

COMMENTS	
-----------------	--



NOTES	Prepared for wear indicator
--------------	-----------------------------

X-REFERENCE (OES)
N/A

X-REFERENCE (COMPETITOR)
N/A

APPLICATIONS	FRONT	REAR
AUDI A4 2.0 TDI 110 KW, 2.0i TFSI 130 KW, 3.0i TDI 160 KW (16" wheels)	<input checked="" type="checkbox"/>	<input type="checkbox"/>
AUDI A4 3.0i TDI 200 KW (17" wheels)	<input checked="" type="checkbox"/>	<input type="checkbox"/>
AUDI Q5 2.0 TDI 140 KW (16" wheels)	<input checked="" type="checkbox"/>	<input type="checkbox"/>
AUDI Q5 3.0i TDI 185 KW (17" wheels)	<input checked="" type="checkbox"/>	<input type="checkbox"/>
	<input type="checkbox"/>	<input type="checkbox"/>
	<input type="checkbox"/>	<input type="checkbox"/>